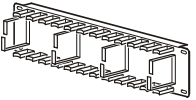
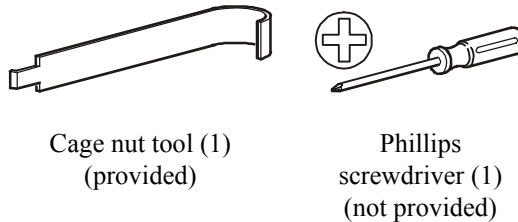


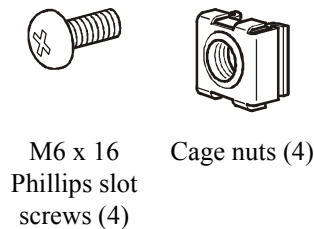
2-U Patch Cord Horizontal Cable Organizer for NetShelter[®] SX or VX Enclosures

Product	SKU	Description	Figure
19-inch EIA 2-U patch cord organizer	AR8427A	Route cables horizontally on the front or back of the 19-inch EIA enclosure.	

Tools required



Hardware (provided)



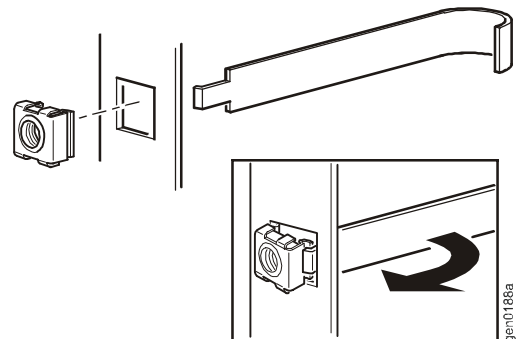
Installing cage nuts

Horizontal cable organizers must be attached to cage nuts, which are provided.



Caution: Install cage nuts horizontally, with the ears engaging the sides of the square hole. Do NOT install cage nuts vertically with the ears engaging the top and bottom of the square hole.

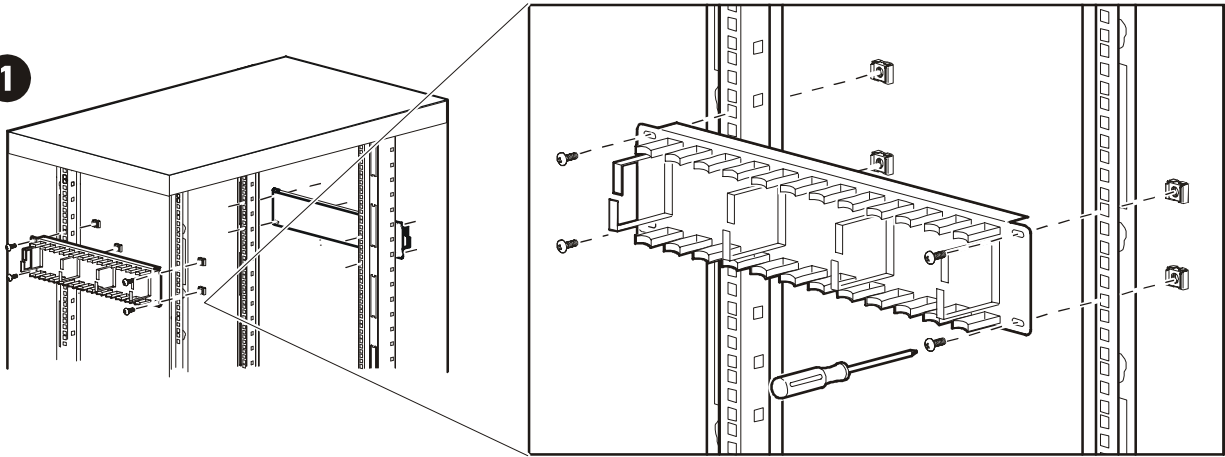
1. Insert the cage nut into the square hole by hooking one ear of the cage nut assembly through the far side of the hole.
2. Place the cage nut tool (provided) on the other side of the cage nut and pull to snap it into position.



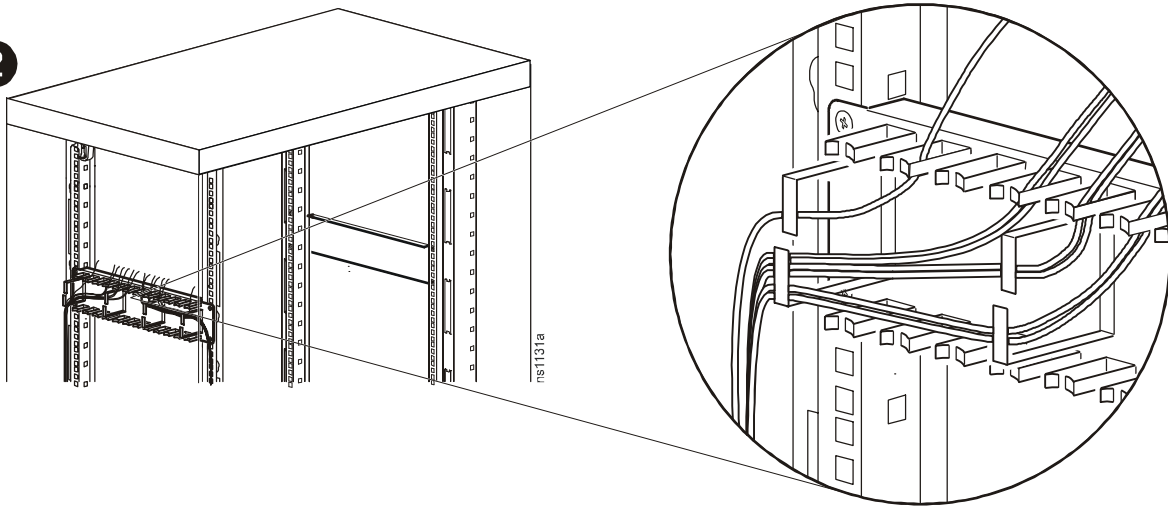
Note: Install the cage nuts on the interior of the vertical mounting flanges.

Installing the horizontal cable organizer

1



2



Customer support and warranty information is available at the APC Web site, www.apc.com.

© 2006 American Power Conversion. All rights reserved. All APC trademarks are property of American Power Conversion. Other trademarks are property of their respective owners.

990-3070
12/2006

